

Modern - Bathtub set

Codice kit: 2700 EVY-100

3-holes bathtub set mixer with column-mounted washbasin spout – 2 exits

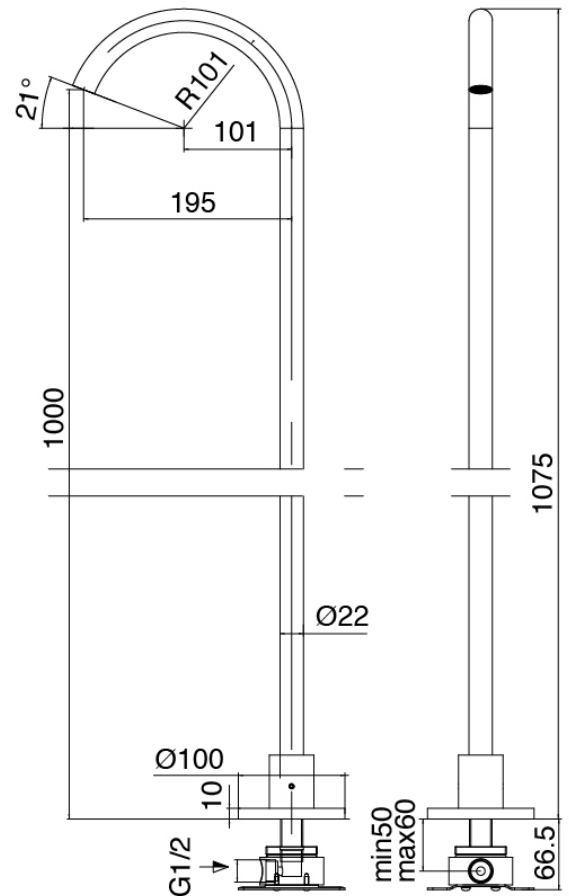
Componenti



Concealed part

Cod: 3300B099A00

Column-mounted - Built-in part

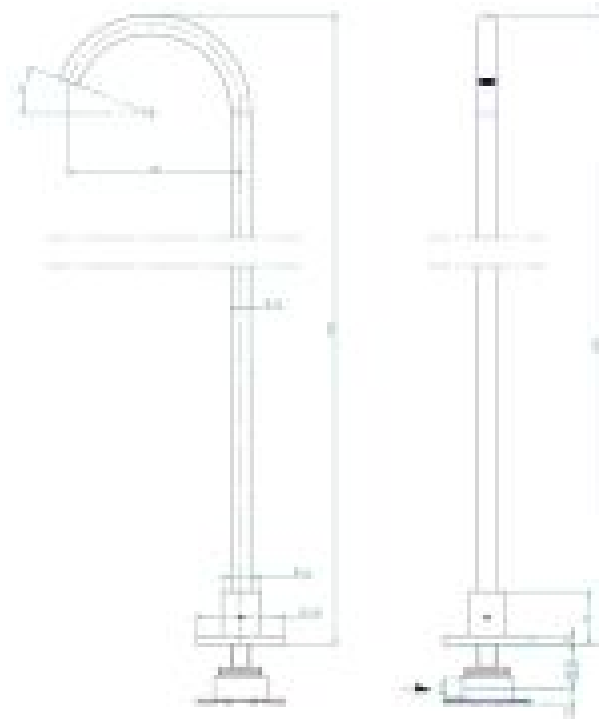




Column-mounted washbasin spout

Cod: 3300V099A00

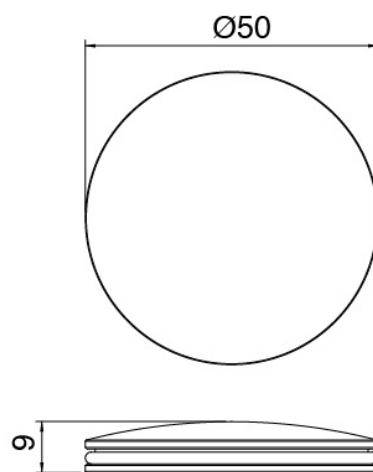
Column-mounted washbasin spout - 725mm -
external part

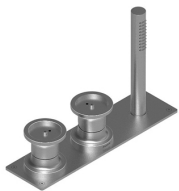


Disk handle PA02

Cod: 2700PA02A00

Disk handle for built-in elements

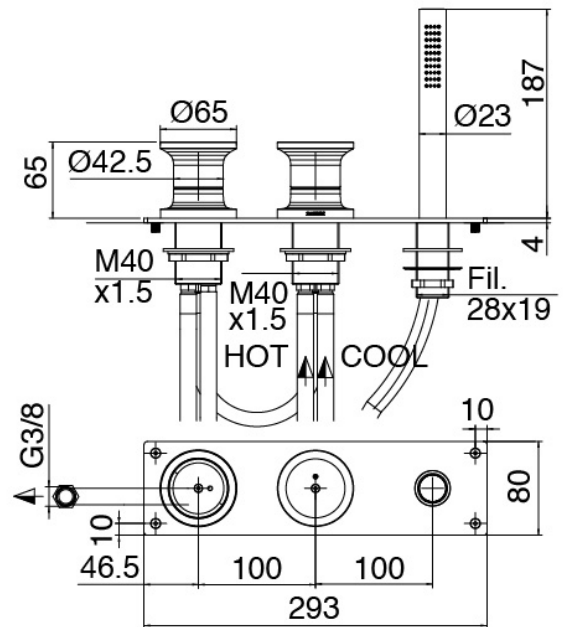




Mixer set

Cod: 2700N498A01

3-hole bathtub set - without spout



Finiture disponibili:

finiture speciali su richiesta salvo quantitativi minimi di ordine garantiti



brush steel

ASAS